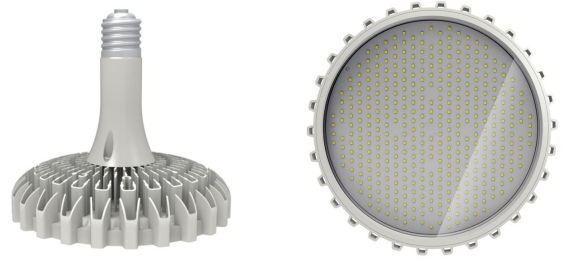


Compact II

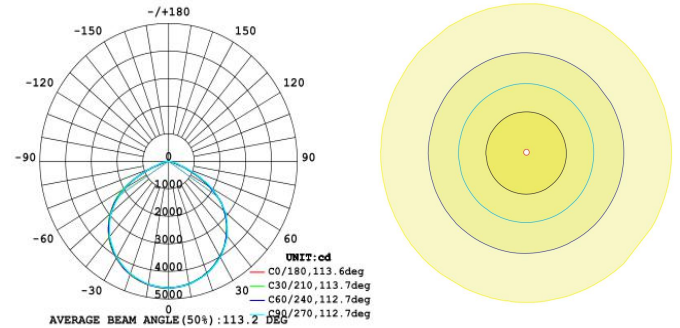
100W LED High Bay Specification



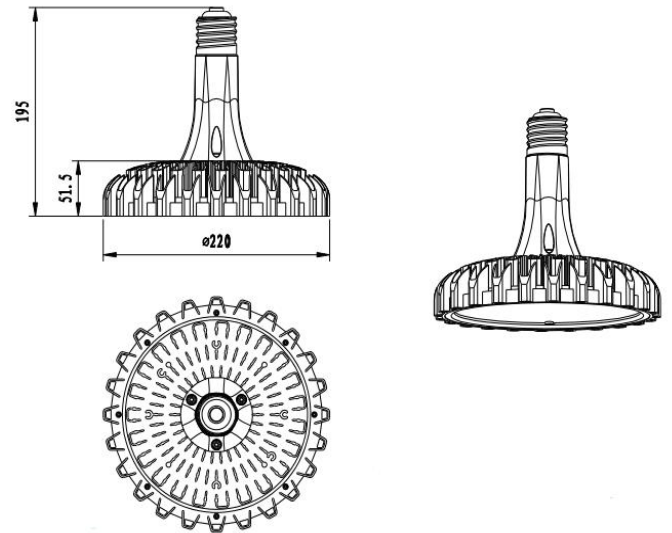
Parameters

| | |
|---------------------------------|-------------------------------------|
| Product Model | YHL-ID-100-HB-VE(ES) |
| LED Chip Brand | Nichia |
| Light Efficiency | ≥150 lm/W (130lm/W Optional) |
| Luminous Flux | >15000 lm |
| Color Temperature | 4500 ~ 5500K(2500 ~ 5500K optional) |
| Beam Angle | 120° (90°optional) |
| Total Power Consumption | 105W±5W |
| Output Current | 3.1A (constant current) |
| Output Voltage | DC 30-36V |
| Net Weight | 1.2KG±0.2kg(without driver) |
| Light Dimensions | L220mm*W220mm*H195mm |
| Light Package Dimensions | L300mm*W300mm*H250mm |

Light Distribution



Physical Dimensions



| | | | | | |
|--------------|--------------|-------------|--------------------|--------------------|-----------------|
| ≥0.95 | 70 Ra | IP65 | ≥100000 Hrs | AC 100-277V | 47-63Hz |
| Power Factor | CRI | IP Level | TM-21(L70) | Input Voltage | Power Frequency |

Others

| | | |
|----------------------------------|--|--------------------------------------|
| Power Efficiency | Working Temperature (Environment) | Heat Sink Surface Temperature |
| >90% | -40°C ~ +50°C | 71.1°C (Room Temperature 27.7°C) |
| Fixture Efficiency | Working Humidity (Environment) | Luminaire Base Temperature |
| ≥90% | 15% ~ 90%RH | 80.9°C (Room Temperature 27.7°C) |
| Total Harmonic Distortion | Storing Condition | LED Power Consumption |
| ≤15% | -40°C ~ +65°C | 95W±5W |

Suitable for Workshop, Warehouse, Gymnasium, Gas station, Shopping mall, Garage and other Lighting Purposes